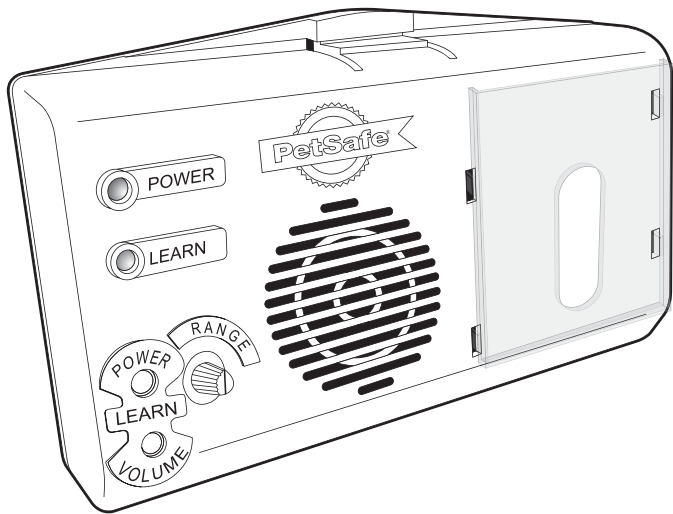


PetSafe®

Smart Pet Doorbell™

Operating and Training Guide

Please read this entire guide before installing

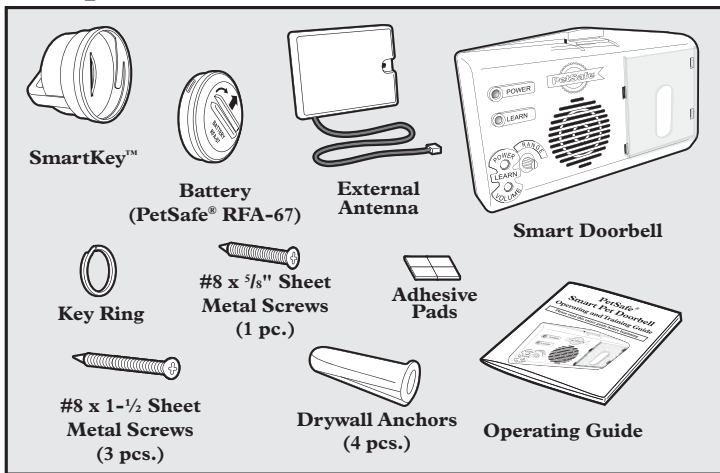


Thank you for choosing PetSafe®, the #1 selling brand of electronic training solutions in the world. Our mission is to ensure your pet's safety by providing you the tools and techniques to successfully train your pet. If you have any questions, please contact the Customer Care Center at 1-800-732-2677 (US), 1-800-457-3911 (Canada) or visit our website at www.petsafe.net.

Table of Contents

Components	3
Other Items You May Need.....	3
How the PetSafe® Smart Pet Doorbell™ Works	4
Key Definitions	4
Preparing Your Smart Pet Doorbell	
Step 1: Install the 3 C-cell Batteries.....	6
Step 2: Install the PetSafe® RFA-67 Battery in the SmartKey™	6
Step 3: Program your Smart Pet Doorbell To Recognize the SmartKey Before the First Use	7
Step 4: Setting the Smart Pet Doorbell range	8
Step 5: Pre-installation Location Testing and Mounting Instructions.....	8
Step 6: Attach the SmartKey™ to the Pet's Collar	12
Step 7: Personalize your Picture Holder.....	13
Train Your Pet to Use the Smart Pet Doorbell.....	13
Troubleshooting.....	14
Replacement Parts.....	15
Terms of Use and Limitation of Liability	12
Product Warranty	16
Perchlorate Battery.....	17

Components (Some hardware is located inside battery compartment)



Other Items You May Need

- 1/4" Electric Drill
- 5/16" Drill Bit
- 3/16" Drill Bit
- 3/32" Drill Bit
- Hammer
- Phillips Screwdriver
- Pencil
- 3 C-Cell Batteries (not included)

How the PetSafe® Smart Pet Doorbell™ Works

The PetSafe® Smart Pet Doorbell helps you control the access of your pets by alerting you when they are waiting at the door to exit or enter your house. When the Smart Pet Doorbell is turned ON, any of your pets wearing the SmartKey can activate it. As your pet enters the range of the Smart Pet Doorbell, it detects the SmartKey and sounds an audible alert to let you know they are waiting at the door. The sensing range is adjustable up to 3 feet from the unit.

Key Definitions

Smart Pet Doorbell™: The Smart Pet Doorbell mounting options are: door, wall near an entry door, french door, sliding glass door, or side lights. Refer to Mounting instructions section starting on page 8 to determine best location.

LIGHTS:

LED Color	Condition	Pet Door Status
RED	Flashes twice & Beep	Powering OFF
	Rapid Flashing	LOW BATTERY alert
GREEN	Continuous for 2 seconds & Beep	Powering ON
	Slow Flashing	Unit is ON
	Rapid Flashing	LEARN Mode
	Continuous for 2 seconds	LEARN Mode completed

Power Button: (upper-most button)

- When OFF, press and hold to turn ON (green LED lights for 2 seconds & unit beeps.)
- When ON, press and hold to turn OFF (red LED flashes twice & unit beeps.)

Volume Button: The lower-most button controls the volume of the audio alert; there are 4 levels available. To change the volume settings press and hold the Volume Button until the unit emits an alert at the current volume setting; continuing to hold the button causes the unit to sequentially cycle through the four levels of volume and emit a sample alert at each level. Upon hearing the desired volume release the button, the unit is now set to that volume level.

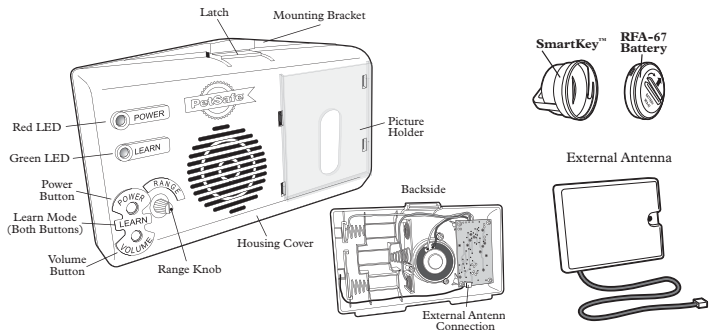
Learn Mode: Simultaneously depressing both the VOLUME and POWER buttons sets the unit into the LEARN mode (indicated by the green LED flashing rapidly.) The Smart Pet Doorbell's™ memory will allow up to five SmartKey™ codes to be programmed.

Range Knob: The knob, located on the front of the Smart Pet Doorbell, controls the distance or range at which the SmartKey will activate the Smart Pet Doorbell. Turning the Range Knob clockwise increases the detection range; turning the Range Knob counterclockwise decreases the detection range. Minimum detection range is approximately 6" (outdoor range may vary).

Picture Holder: This clear panel allows you to display a 2 5/8" square photo of your pet.

SmartKey: The SmartKey, which attaches to your pet's collar, sends a unique coded signal to the Smart Pet Doorbell. One SmartKey is included with the Smart Pet Doorbell. Additional SmartKeys are available where you purchased the Smart Pet Doorbell or by calling 1-800-732-2677 (US), 1-800-457-3911 (Canada). You may use up to 5 keys.

RFA-67 Battery: The replaceable battery that powers the SmartKey. Additional RFA-67 batteries are available where you purchased your Smart Pet Doorbell, or by calling 1-800-732-2677 (US), 1-800-457-3911 (Canada).



Preparing Your Smart Pet Doorbell

Step 1: Install the 3 C-cell Batteries

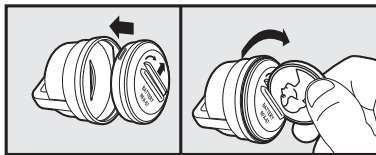
1. Depress the Latch until it disengages from the Mounting Bracket and remove the Housing to access the battery compartment.
2. Refer to the battery symbols inside of the Housing for the proper orientation of the 3 C-cell batteries. **INCORRECTLY INSTALLING THE BATTERIES CAN CAUSE PERMANENT DAMAGE TO THE UNIT.**
3. When the batteries are correctly installed, pressing and holding the **POWER** button will cause the unit to emit a beep and the green LED to illuminate for 2 seconds. The green LED will periodically flash to indicate the unit is powered ON.
4. Replace the unit on the Mounting Bracket, make certain the Latch is fully latched to prevent the unit from falling and being damaged.

Low Battery Indicator

When the red LED is flashing, the Smart Pet Doorbell is in a low battery condition. The 3 C-cell batteries should be replaced as soon as possible to ensure the Smart Pet Doorbell continues to operate properly. Average battery life is 8 to 10 months.

Step 2: Install the PetSafe® RFA-67 Battery in the SmartKey™

1. Place the PetSafe RFA-67 battery into the front of the SmartKey.
2. Using a coin, rotate one-quarter turn clockwise to secure the PetSafe RFA-67 battery. A red LED inside the SmartKey housing will illuminate for 2 seconds indicating a good battery condition.



SmartKey™ Low Battery Indicator

The SmartKey is equipped with a red LED which is only visible when flashing inside the Housing Cover. Should the red LED begin to flash, the PetSafe RFA-67 battery is getting low on charge and should be replaced as soon as possible. Average battery life of the SmartKey is 3 to 6 months.

Step 3: Program your Smart Pet Doorbell To Recognize the SmartKey Before the First Use

1. To enter LEARN mode, press and hold both the POWER and LEARN buttons simultaneously until the green LED begins to flash. Release both buttons. Bring one SmartKey close to the Smart Pet Doorbell; the green LED will stop blinking and will illuminate continuously for two seconds before extinguishing. The SmartKey code has been successfully added to memory. Repeat as necessary with each additional SmartKey to add them to memory.
2. Up to five different SmartKey codes can be added to memory, each must be LEARNED separately by repeating the LEARN sequence with each SmartKey.
3. When the LEARN mode is activated, if no SmartKey is detected, the green LED will blink for 60 seconds and extinguish.
4. **IMPORTANT:** Keep all SmartKeys at least 10 feet from the Pet Smart Doorbell during this programming sequence. At the specified time, only the SmartKey being LEARNED can be brought close to the Smart Pet Doorbell™.

Important:

- **Household appliances (such as laptop computers, wireless telephones, microwave ovens, and televisions) should be at least 2 feet away from the Smart Pet Doorbell. To prevent unnecessary alerts, do not install your Doorbell in an area that your pet frequents other than to go outside. Keep pet's food, water, bed, and toys 10 feet away from the doorbell to avoid unnecessary alerts.**
- **Do not install the Doorbell outdoors, such as on the outside of the house or door. The Doorbell is not weatherproof.**
- **The doorbell unit may be installed vertically or horizontally. If you install it vertically, be sure the batteries are at the bottom of the unit.**

The materials used in your home's construction may affect performance of the Doorbell; metal doors, aluminum siding, and energy-efficient low-e glass interfere with the Doorbell and require use of the External Antenna (included.)

PETSAFE RECOMMENDS MOUNTING THE DOORBELL ON THE INSIDE OF THE DOOR WITH THE EXTERNAL ANTENNA HOUSING MOUNTED ON THE OUTSIDE OF THE DOOR FOR BEST RESULTS.

Step 4: Setting the Smart Pet Doorbell™ range

1. Temporarily place doorbell in desired location with the doorbell turned on.
2. Turn the range knob counter-clockwise to the minimum setting.
3. Place the SmartKey in front of the unit at the desired height and distance and hold it there for 20 seconds. If no alert sounds, slowly adjust the Range knob clockwise in 5 degree increments towards the maximum setting, pausing 20 seconds between each adjustment until the unit sounds an alert. The doorbell should ring fairly consistently every 15 seconds from your desired distance.
4. Once inside range is set, test your SmartKey from the outside. If the outside range is satisfactory you can permanently mount your Smart Pet Doorbell at this location. If outside range is unacceptable consider other optional mounting locations. Use the testing procedures below to determine your optimum mounting location.

Note: Adjusting range knob affects both inside and outside range simultaneously.

DO NOT SKIP THIS STEP!

Step 5: Pre-installation Location Testing and Mounting Instructions

Depending on your home, you'll want to install the doorbell as A) door-mounted, B) glass-mounted, or C) wall-mounted. **ALWAYS TEST PRODUCT PERFORMANCE BEFORE FINALIZING INSTALLATION.**

A) Door-Mounted - Testing Procedure:

Temporarily hold the doorbell on inside of door, about 24" above the floor; slowly approach with SmartKey™ until alert sounds. Adjust range as desired.

Is your inside range satisfactory?

No: Refer to troubleshooting chart section. Repeat test.

Yes: Repeat from exterior of house (make certain entrance door is closed while testing.)

Is your outside range satisfactory?

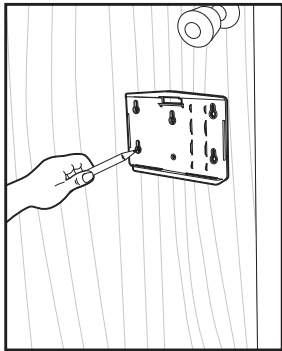
No: Use of the External Antenna is required. Temporarily install External Antenna on outside of door by routing the cable around the door's edge. Make certain of solid connections to the Pet Doorbell. Repeat test. If unit fails call Customer Care for further assistance.

Yes: Proceed to Mounting Instructions below

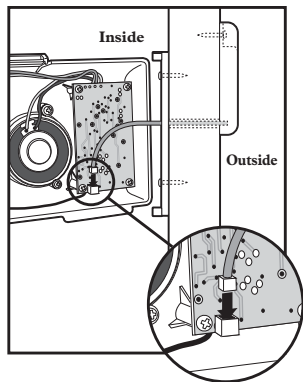
Door-Mounted - Installation

Instructions:

1. Choose the location for the doorbell on the inside of your door, 24" above the floor.
2. Using the Doorbell Mounting Plate as a guide, mark the lower-left hole on the inside of your door as indicated in the illustration below. (This is the hole through which the External antenna wire will be fed through your door.)
3. Using a $\frac{5}{16}$ " drill bit, drill completely through the door.
4. From the outside, feed the antenna wire that is attached to the external antenna through the hole
5. Position the external antenna housing over the hole and mark the location for a mounting screw.
6. Using a $\frac{3}{32}$ " drill bit, drill a hole through only the near side of the door.
7. Mount the External Antenna to the door using the supplied #8 x $\frac{5}{8}$ " screw. Do not over-tighten the screw.



8. Feed the external antenna wire through the lower-left mounting screw hole on the Mounting Plate. Holding the Mounting Plate in position, mark two of the top mounting keyholes. If your door is solid core, use a $\frac{3}{32}$ " drill bit to drill a hole 1" deep. Mount with #8 x $1\frac{1}{2}$ " screws.
9. If your door is a hollow core, use a $\frac{3}{16}$ " drill bit and drill through the near surface of the door. Install a plastic anchor in each hole. Use two of the supplied #8 x $1\frac{1}{2}$ " screws to secure the Mounting Plate to the door. Do not over-tighten the screws.
10. Reattach external antenna to antenna connector inside the Pet Doorbell.
11. Using a $\frac{3}{32}$ " drill bit, drill through the near side of the door using the bottom-center round hole in the Mounting Plate as a guide. Install the remaining #8 x $1\frac{1}{2}$ " screw to complete securing the doorbell to the door. Do not over-tighten the screw.
12. Fit 2 bottom tabs of Doorbell Housing Cover onto Mounting Plate. Secure with snap latch. Unit should be firmly mounted on surface when correctly installed.



B) Glass-mounted - Testing Procedure: **(Glass side-lights, French door, Sliding Glass Door)**

You can mount the doorbell directly on most glass. Some glass contains low-e coatings to prevent heat conductivity; these coatings can also block the SmartKey signal. To test for low-e glass, turn the doorbell on, and hold on the inside of the glass while slowly bringing the programmed Smart-Key close to it. If the Doorbell cannot receive the SmartKey's signal until very close to the unit, your glass likely contains low-e coatings. A different location and use of the External Antenna will be required.

Temporarily hold the doorbell on inside of glass, about 24" above the floor and as close to the latch side of the door as possible. Slowly approach with SmartKey until alert sounds. Adjust range as desired.

Is your inside range satisfactory?

No: Refer to troubleshooting section. Repeat test.

Yes: Repeat from exterior of house (make certain entrance door is closed while testing.)

Is your outside range satisfactory?

No: Move unit to location either on door or wall.

Yes: Proceed to Mounting Instructions below.

Glass Mounted - Installation Instructions:

1. Locate the four 1" square adhesive pads supplied with the unit. Turn the Mounting Plate over so you are viewing it from the rear.
2. Remove the protective adhesive liner from one of the 1" squares, pressing firmly to attach the square to one corner of the Mounting Bracket. Repeat procedure in each corner until all four adhesive squares have been applied.
3. Choose the location for the doorbell, about 24" above the floor.
4. Clean the window where the doorbell is to be located. Allow to dry.
5. Remove the protective liners from all four 1" adhesive squares before pressing the Mounting Plate firmly into position on the glass. Carefully position your Doorbell before applying. Adhesive is exceptionally strong. Make certain all four squares are making good contact with the window before attaching the Doorbell to the Mounting Bracket.
6. Fit 2 bottom tabs of Doorbell Housing Cover onto Mounting Plate. Secure with snap latch. Unit should be firmly mounted on surface when correctly installed.

C) Wall-mounted - Testing Procedure:

Temporarily hold the Doorbell about 24" above the floor and as close to the latch side of the door as possible. Slowly approach with SmartKey until alert sounds. Adjust range as desired.

Is indoor range satisfactory?

No: Refer to troubleshooting section. Repeat test.

Yes: Repeat testing from exterior of house (make certain entrance door is closed while testing.)

Is outdoor range satisfactory?

No: Move unit to location either on door or glass. Perform testing in new location. If Doorbell fails on glass then mounting directly on the door and use of the External Antenna may be required.

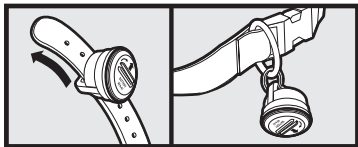
Yes: Proceed to Mounting Instructions below.

Wall-mounted - Installation Instructions:

1. Choose the location for the doorbell, about 24" above the floor.
2. Using the Mounting Plate as a guide, mark two of the top mounting keyholes.
3. Using a $3/16$ " drill bit, drill through the surface of the wall where marked.
4. Install a plastic anchor in each hole. Use two of the supplied #8 x $1\ 1/2$ " screws to secure the Mounting Plate to the wall. Do not over-tighten the screws.
5. Using a $3/32$ " drill bit, drill through the wall using the bottom-center hole in the Mounting Plate as a guide. Install the remaining #8 x $1\ 1/2$ " screw to complete securing the Doorbell to the wall. Do not over-tighten the screw.
6. Fit 2 bottom tabs of Doorbell Housing Cover onto Mounting Plate. Secure with snap latch. Unit should be firmly mounted on surface when correctly installed.

Step 6: Attach the SmartKey™ to the Pet's Collar

Thread your pet's collar through the SmartKey's attachment loop. Your pet's collar must be $3/4$ " wide or less to fit the attachment loop. If your pet's collar is too large to thread through the key, a key ring has been provided for use for attachment to your pet's collar ring. When correctly installed the SmartKey should hang under the pet's neck. *Note: The range may need to be adjusted after the SmartKey is placed on your pet's collar. (Your pet's body can affect the doorbell range reception slightly.)*



Step 7: Personalize your Picture Holder

Personalize your pal's Smart Pet Doorbell™ by adding a 2 5/8" square photo behind the picture holder.

Train Your Pet to Use the Smart Pet Doorbell™

Minimal training is required to use the Smart Pet Doorbell if it is installed at the same door your pet already uses most frequently.

Successful training is based on the reward system:

- **IMPORTANT:** Your pet must be conditioned initially to relate the doorbell ringing to going outside to relieve themselves, not to go out and play.
- Praise your pet for going to the door when you hear the doorbell.
- Take your pet outside and wait until they have relieved themselves.
- Immediately take him back in, praise him lavishly and reward him. (Your pet's reward can be a treat, favorite toy, playtime, or hugs.)
- Take your time in training your pet and be patient.
- Soon your pet will associate the doorbell tone with being let out and back in.
- You may start tapering the rewards off when you feel you have accomplished your training.
- When leaving your home, it is recommended that you turn off your Smart Pet Doorbell in order to avoid confusion for your pet. (It is not necessary to reprogram your unit when you return.)

Troubleshooting

<p>Smart Pet Doorbell™ does not respond to the presence of the SmartKey™.</p>	<ul style="list-style-type: none">• Check that the Smart Pet Doorbell is powered ON (green LED periodically flashes indicating power is ON.)• Check that the Range Knob is turned fully clockwise (+) for maximum sensitivity.• Check that the PetSafe® RFA-67 battery in the SmartKey is fully charged. Replace battery if necessary.• Check that the (3) C-cell batteries in the Smart Pet Doorbell are fresh. Replace batteries if the red LED is flashing.• Repeat the LEARN procedure with the SmartKey.• When programming additional SmartKeys, keep them at least 20 feet from the Smart Pet Doorbell. Only one key at a time can be brought close to the Smart Pet Doorbell during programming.• If the condition persists, check that there are no radio-frequency transmitting devices or electronic devices that radiate electrical energy, which may interfere with the operation of the Smart Pet Doorbell. Household appliances (such as laptop computers, wireless telephones, microwave ovens and televisions) should be at least 2 feet away from the SmartPet Doorbell.
<p>Smart Pet Doorbell range is too large</p>	<ul style="list-style-type: none">• Turn range knob counter-clockwise until desired range is set. Set SmartKey at desired distance from doorbell for 30 seconds to test response.

Replacement Parts

To purchase replacement parts for your PetSafe® Smart Pet Doorbell™, contact the Customer Care Center at 1-800-732-2677 (US), 1-800-457-3911 (Canada) or visit our website at www.petsafe.net to locate a retailer near you.

Component	Part Number
PetSafe® RFA-67 Battery	RFA-67
SmartKey™	PAC11-11045
Hardware Kit	CPA00-11594
External Antenna Assembly	610-1642

Terms of Use and Limitation of Liability

1. Terms of Use

This Product is offered to you conditioned upon your acceptance without modification of the terms, conditions and notices contained herein. Usage of this Product implies acceptance of all such terms, conditions, and notices.

2. Proper Use

This Product is designed for use with pets where training is desired. The specific temperament of your pet may not work with this Product. If you are unsure whether this is appropriate for your pet, please consult your veterinarian or certified trainer.

Proper use includes reviewing the entire Operating Guide provided with your Product and any specific Caution statements.

3. No Unlawful or Prohibited Use

This Product is designed for use with pets only. This pet training device is not intended to harm, injure, or provoke. Using this Product in a way that is not intended could result in violation of Federal, State or local laws.

4. Limitation of Liability

In no event shall Radio Systems® Corporation be liable for any direct, indirect, punitive, incidental, special or consequential damages, or any damages whatsoever arising out of or connected with the use or misuse of this Product. Buyer assumes all risks and liability from the use of this Product.

5. Modification of Terms and Conditions

Radio Systems Corporation reserves the right to change the terms, conditions and notices under which this Product is offered.

Product Warranty

Please register your product online at www.petsafe.net. All parts are covered under warranty for the life of this product. Labor is covered for the first year of ownership. Thereafter, there is a minimum service charge for the repair or replacement of the product. Misuse, loss, damage by pet or improper use or handling is not covered. PetSafe® will not pay for loss of time, inconvenience, loss of use of your product or any incidental or consequential damage. Warranty void if product resold.

Please contact the Customer Care Center at 1-800-732-2677 (US), 1-800-457-3911 (Canada) if you need service, help in troubleshooting or to arrange a repair for your product (a service charge may apply). Also, please visit our website www.petsafe.net for Frequently Asked Questions and Troubleshooting Tips.

Perchlorate Battery

Perchlorate Material – special handling may apply.
See www.dtsc.ca.gov/hazardouswaste/perchlorate.

Important Recycling Advice

Please respect the Waste Electrical and Electronic Equipment regulations in your country. This equipment must be recycled. If you no longer require this equipment, do not place it in the normal municipal waste system. Please return it to where it was purchased in order that it can be placed in our recycling system. If this is not possible, please contact the Customer Care Center for further information.

Caution

Unauthorized changes or modifications may void the user's authority to operate this equipment, and void the warranty.

FCC / CE

A copy of the EU declaration of conformity can be requested by contacting the Customer Care Center at 1-800-732-2677 (US), 1-800-457-3911 (Canada) or at www.petsafe.net.

This device complies with Industry Canada rules. This device complies with part 15 of the FCC Rules.

Operation is subject to the following two conditions:

1. This device may not cause harmful interference.
2. This device must accept any interference received, including interference that may cause undesired operation.

This equipment has been tested and found to comply with the relevant FCC part 15 rules for home and office use.

Radio Systems Corporation
10427 Electric Avenue
Knoxville, TN 37932
1-800-732-2677
www.petsafe.net
400-964/1

©2007, Radio Systems Corporation

Before Installation Please Read:

Home construction materials with reflective coatings, aluminum siding, or steel doors can affect the performance of the Smart Pet Doorbell.

Additional Mounting Instructions

Test the desired location before mounting your Smart Pet Doorbell to determine if your wall construction affects outside performance.

1. Temporarily position your Smart Pet Doorbell in the desired location and adjust the inside range per Range Adjustment instructions below.
2. Once inside range is set, test your SmartKey™ from the outside. If the outside range is satisfactory you can permanently mount your Smart Pet Doorbell; follow the instructions in your printed manual.
3. If outside range is unacceptable, consider mounting the Smart Pet Doorbell with double stick tape on the glass of a French door, Sliding Glass Door, or Side Light.
4. If you do not have glass-mounting options and your entry door is not metal, you can mount the Smart Pet Doorbell to the inside of your entry door near the bottom hinge.

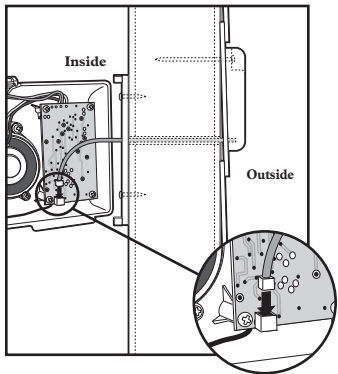
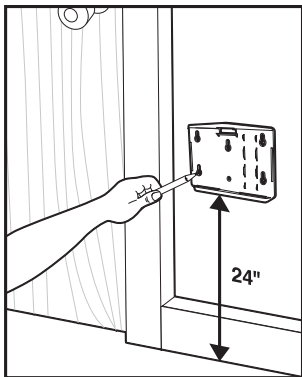
Range Adjustment

- Turn the range knob counter-clockwise to the minimum setting
- Place the SmartKey™ in front of the unit at the desired height and distance for 20 seconds
- If no alert sounds, slowly adjust the Range knob clockwise in 5 degree increments towards the maximum setting, pausing 20 seconds between each adjustment until the unit sounds an alert
- The doorbell should ring fairly consistently every 15 seconds from your desired distance

Note: Range may need to be adjusted after SmartKey is placed on your pet's collar (Pet's body can affect the range reception slightly).

Wall Mounted with External Antenna Installation Instructions

1. Choose the location for the Doorbell on an inside wall, about 24" above the floor. The Doorbell should be positioned on the wall next to your entry door preferably on the latch-side.
2. Using the Doorbell Mounting Plate as a guide mark the lowest left hole. (See illustration)
3. Using a $\frac{5}{16}$ " drill bit, drill completely through your wall to the outside of your home.
CAUTION: To avoid damage locate any electrical wires and plumbing in the wall. Shut off electrical breakers before drilling hole.



4. From the outdoors, feed the antenna wire that is attached to the external antenna through the hole. A strong wire (coat hanger) can be used to thread the Antenna Wire through the wall. (See Illustration)
5. Position the External Antenna housing over the hole and mark the location for the mounting screw.
6. Using a $\frac{3}{32}$ " drill bit, drill a hole through only the near side of the wall.
7. Mount the External Antenna to the outside wall using the supplied #8 x $\frac{5}{8}$ " screw. Do not over-tighten the screw.

8. Back indoors, thread the Antenna Wire through the backside of the Mounting Plate's lowest left hole.
9. Using the Mounting Plate as a guide, mark two of the top mounting keyholes.
10. Using a $\frac{3}{16}$ " drill bit, drill through of the wall where marked.
11. Install a plastic anchor in each hole. Use two of the supplied #8 x 1 $\frac{1}{2}$ " screws to secure the Mounting Plate to the wall. Do not over-tighten the screws.
12. Using a $\frac{3}{32}$ " drill bit, drill through the inner surface of the wall using the bottom-center hole in the Mounting Plate as a guide. Install the remaining #8 x 1 $\frac{1}{2}$ " screw to complete securing the Doorbell to the wall. Do not over-tighten the screw.
13. Re-attach External Antenna Wire to Antenna Connector inside the Doorbell.
14. Fit 2 bottom tabs of Doorbell Housing Cover into slots on Mounting Plate. Securely snap into position. Unit should be firmly mounted on surface when correctly installed.

Radio Systems Corporation
10427 Electric Avenue
Knoxville, TN 37932
1-800-732-2677
www.petsafe.net
400-1036