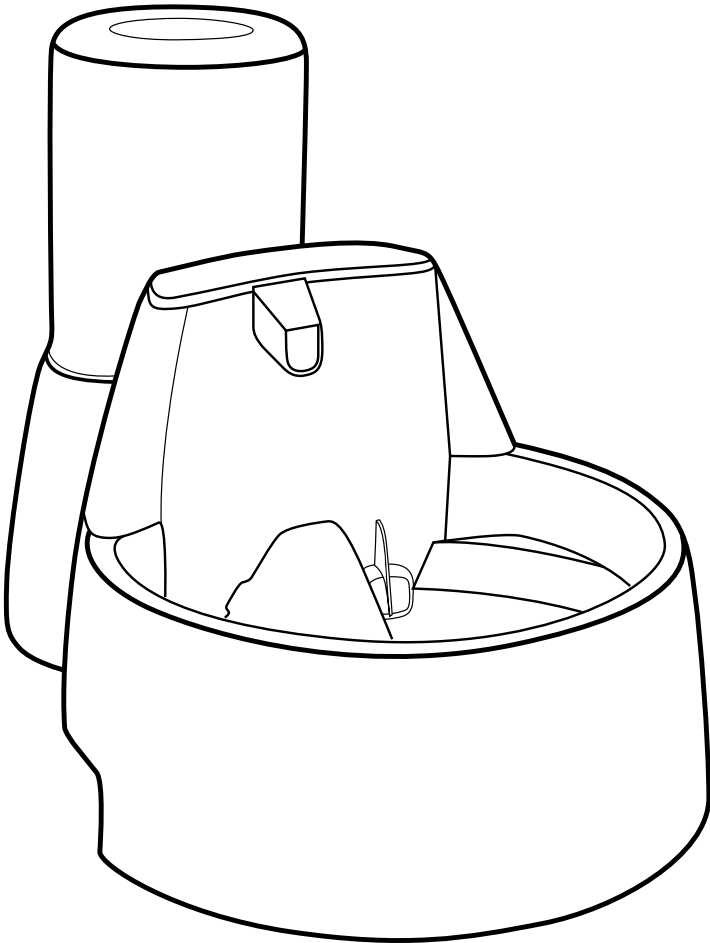




PWW00-13713

Drinkwell® Big Dog Pet Fountain



Welcome


You and your pet were made for each other. Our aim is to help you have the best companionship and the most memorable moments together. Your new Big Dog Pet Fountain is designed to entice your pet to stay hydrated and healthy.

We know that safe pets make happy owners. Before getting started, please take a moment to read through the important safety information. If you have any questions, please don't hesitate to contact us.

Hereinafter Radio Systems Corporation and any other affiliate or Brand of Radio Systems Corporation may be referred to collectively as "We" or "Us".

IMPORTANT SAFETY INFORMATION

Explanation of Attention Words and Symbols used in this guide

 This is the safety alert symbol. It is used to alert you to potential personal injury hazards. Obey all safety messages that follow this symbol to avoid possible injury or death.

WARNING **WARNING** indicates a hazardous situation which, if not avoided, could result in death or serious injury.

CAUTION **CAUTION**, used without the safety alert symbol, indicates a hazardous situation which, if not avoided, could result in harm to your pet.

NOTICE **NOTICE** is used to address safe use practices not related to personal injury.

WARNING

When using electrical appliances, basic safety precautions should always be followed to reduce the risk of fire, electric shock and/or injury to persons, including the following:

- Read all instructions before using this product.
- To reduce the risk of injury, close supervision is necessary when an appliance is used by or near children.
- To protect against electric shock, do not place electrical power cord or plug in water or other liquids.
- Do not operate any appliance if it has a damaged electrical power cord or plug, or if it is malfunctioning or has been damaged. Call the Customer Care Center immediately for further instructions.
- To reduce the risk of electric shock, do not place or store an appliance where it can fall or be pulled into a bathtub or sink.
- Always unplug any appliance when not in use, before putting on or taking off parts and before cleaning.
- Do not use an appliance for anything other than its intended use.
- If the plug of this device gets wet, turn off the electricity to that electrical outlet. Do not attempt to unplug.
- Examine this appliance after installation. Do not plug into electrical outlet if there is water on the electrical power cord or plug.

CAUTION

- Do not allow pets to chew on or swallow any parts. If you are concerned your pet may chew the power cord, purchase a cord conduit (a hard plastic protector) at any hardware store.
- The plastic fountain parts are BPA-FREE. However, some animals have been known to be sensitive to plastic food and water containers. If your animal shows signs of an allergic reaction to the plastic, please discontinue use until you have consulted with your veterinarian.

NOTICE

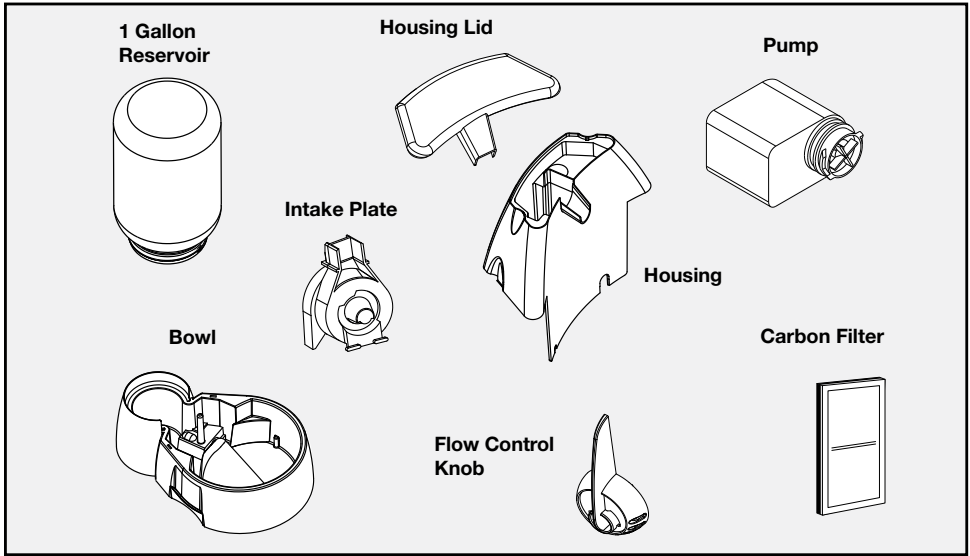
- The fountain is intended to run continuously (always plugged into an electrical outlet), as long as the water level is maintained and the fountain is cleaned regularly. Be sure to check the water level regularly to help prevent damage to the pump, as your pet will drink the water, and some may evaporate.
- Do not attempt repairs on the pump.
- Do not pull on the electrical power cord to remove the plug from the electrical outlet.
- To unplug, grasp the plug, not the electrical power cord.
- To avoid the possibility of the plug or electrical outlet getting wet, the electrical outlet should always be above the level of the fountain.
- If an extension cord is necessary, an extension cord with a proper rating should be used.
- The electrical use of this appliance is 4.5 watts.
- The use of attachments not recommended or sold by the manufacturer may cause an unsafe condition. Do not modify the appliance.
- Do not install or store appliance where it will be exposed to weather or temperatures below 40° F.
- Read and observe all important notices listed on the appliance and in the packaging.
- Never wash the filter with soapy water as the soap residue will seep into the filter and cannot be removed. Only rinse the filter with water.
- Use only PetSafe® Brand authorized replacement filters. If unauthorized filters are used, the warranty may be voided.
- Do not use outdoors. Do not run dry. For indoor household use only.

SAVE THESE INSTRUCTIONS

What's Covered

In the Box.....	4
Operating Instructions.....	4
Pet Fountain Disassembly & Cleaning.....	5
Pump Maintenance	6
Pet Fountain Reassembly.....	6
Terms of Use and Limitation of Liability	7
Warranty	7

In the Box



Operating Instructions

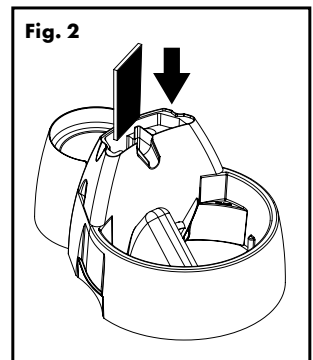
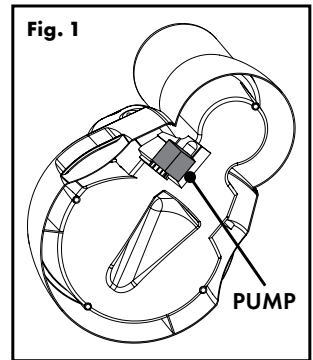
Important: DO NOT RUN DRY - FOR INDOOR USE ONLY.

Note: Rinse all fountain parts with warm water before operating the pet fountain. This will remove any dust or residue that remains in the system from the manufacturing process.

1. Carefully remove all the pet fountain components from the packaging and set aside prior to assembly.
2. As with any electrical device, check the electrical power cord for any tears or damage before use.
3. Inspect the bottom of the pet fountain to be sure the pump is securely attached (**Fig. 1**).
4. Remove the housing lid and insert the carbon filter. The carbon filter fits narrow side down, with the black side facing the front of the fountain (**Fig. 2**).

Important: Rinse the carbon filter thoroughly under cool water before placing in the pet fountain. This will remove any loose carbon dust, which is harmless to your pet.

5. Place the pet fountain in a desired location before adding the reservoir. Never pick up a full fountain by the housing. Only pick up the fountain by placing both hands underneath the base of the bowl and grip the sidewalls for a sturdy hold.
6. Fill both the bowl and the housing with water until the water reaches the fill level in the bowl.
7. Fill the reservoir with water.
8. Check the reservoir cap to make sure the black o-ring is in place, then screw the reservoir cap onto the reservoir.

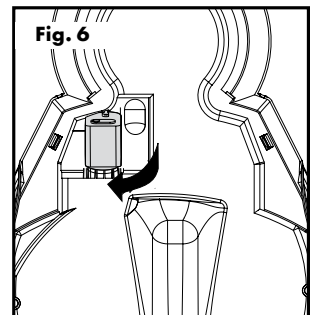
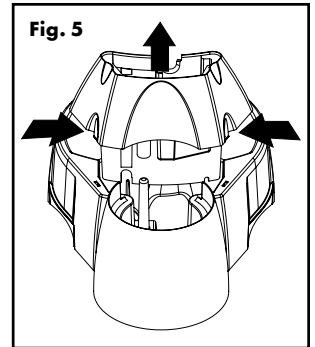
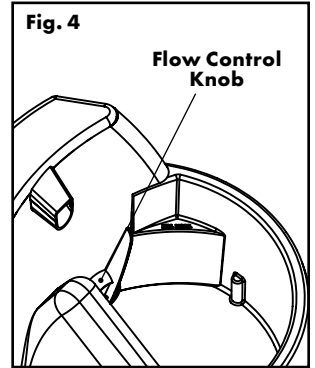
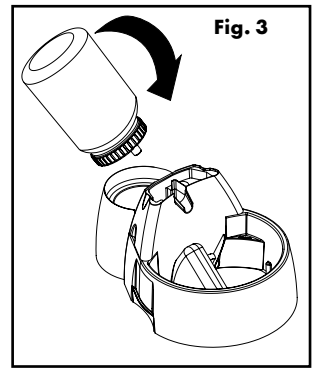


9. Hold the reservoir over the reservoir base. Quickly turn it upside down and place the spout of the reservoir cap into the reservoir base (**Fig. 3**).
10. Set your desired flow rate with the flow control knob, which is next to the ramp inside the bowl. When the flow control knob is in the 10 o'clock position, flow is at its lowest. When the flow control knob is in the 2 o'clock position, flow is at its highest (**Fig. 4**).
11. Make sure the electrical power cord, the power adaptor and your hands are dry. Plug the pet fountain into a standard electrical outlet.
12. Add water to the bowl as needed. Do not let the water level fall below the flow control knob or you may risk pump failure.

Pet Fountain Disassembly & Cleaning

CARBON FILTER: Change every 2 to 4 weeks. Replace the carbon filter more frequently when using the pet fountain for multiple pets or pets that produce a lot of saliva.

1. Lift the reservoir out of the back of the pet fountain and quickly turn upright.
2. Unscrew the reservoir cap and remove the black o-ring.
3. Next, unplug the pet fountain and remove the housing lid.
4. Remove the carbon filter and dispose.
5. Empty the water out of the pet fountain.
6. Remove the housing by pressing in the tabs at the sides and lifting up (**Fig. 5**).
7. The flow control knob is not attached and it will separate when the housing is removed.
8. The flow control knob and intake plate are not attached and are freed when the housing is removed.
9. Turn the bowl over and unlock the pump from its cavity by slipping your finger into the indentation behind the pump and pulling that end of the pump out toward you, so that it has turned a quarter of a turn (**Fig. 6**). Do not attempt to remove the pump without turning it 90 degrees; this may damage the pet fountain and cause a leak.
10. Now that the pump is unlocked, remove it from the pet fountain. If you find this difficult, you can push the pump out from the bowl side.
11. Clean the plastic parts with warm water and soap. You can also put the pet fountain in the dishwasher. Remove the pump before placing in the dishwasher. **NEVER PLACE THE PUMP OR RESERVOIR IN THE DISHWASHER!** If possible, it is recommended that you turn down the heat of the water inside the dishwasher. The pet fountain may also be cleaned with a diluted vinegar solution (20% white vinegar and 80% water).



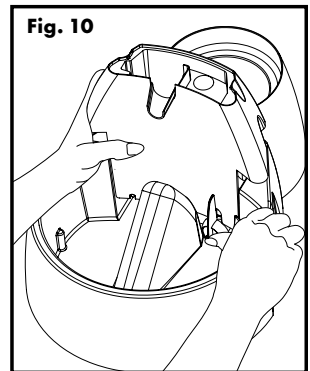
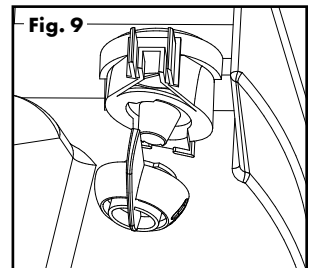
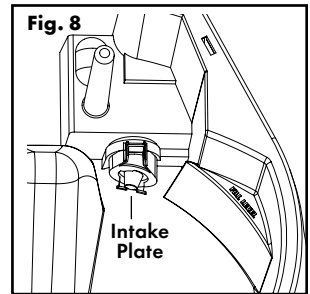
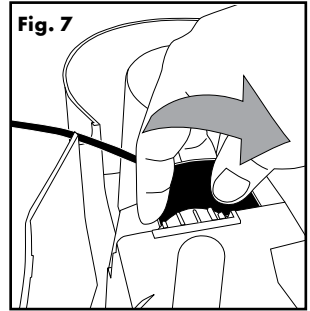
Pump Maintenance

Important: Cleaning the pump is essential to the longevity of the pet fountain, as well as the cleanliness of the water. Clean the pump every two weeks. Warranty may be voided if the pump motor is not cleaned regularly.

1. Remove the pump from the pet fountain as explained in the “Pet Fountain Disassembly & Cleaning” section.
2. Once the pump is removed, remove the impeller (white, 3-bladed propeller) which is held in place magnetically. To remove the impeller, use a fingernail to get underneath a blade and pull out.
3. Once the pump is disassembled you can clean the parts with warm water and soap. Use a cotton swab or the “motor” brush from the Drinkwell® Cleaning Kit to clean the pump’s motor cavity and remove any build-up. For added disinfecting and hard water removal, clean the pump’s motor cavity with a diluted vinegar solution (20% white vinegar and 80% water).
4. Once the parts are clean, replace the impeller into the pump’s motor cavity.

Pet Fountain Reassembly

1. Turn the bowl upside down. Reattach the pump by pushing the threads of the pump through the hole in the bowl. The pump goes in at a right angle to the bowl (**Fig. 7**). If you cannot turn the pump into its resting position, the pump is not pushed into the hole as far as it will go.
2. After turning the pump a quarter turn, it should now be even with the bottom of the bowl. Turn the bowl back over.
3. Place the intake plate over the exposed portion of the pump found in the bowl (**Fig. 8**).
4. Join the flow control knob and intake plate together by placing the tabs of the flow control knob into the groove of the intake plate (**Fig. 9**).
5. Attach the housing by sliding the cutout in the wall of the housing down in between the flow control knob and intake plate (**Fig. 10**). The housing will click into place, when the side tabs are inserted in the bowl.
6. Place the pet fountain in desired location.
7. Replace the carbon filter and fill the housing, bowl, and reservoir with water. Replace the housing lid.
8. Before you plug the pet fountain in make sure the electrical power cord, the power adaptor and your hands are dry. Plug the pet fountain into a standard electrical outlet.



Replacement Parts and Accessories

Replacement parts and accessories for your fountain can be purchased by visiting www.petsafe.com or by contacting our Customer Care Center at 1-800-732-2677.

PART DESCRIPTION	REPLACEMENT PART NUMBER
Drinkwell® Fountain Activated Carbon Replacement Filters (3-Pack)	PAC00-13067
Drinkwell Fountain Premium Activated Carbon Filters (3-Pack)	PAC00-13070
Drinkwell Big Dog Fountain Pump	PAC00-13207
Drinkwell Fountain Cleaning Kit	CKPH
Drinkwell Big Dog Fountain 128 oz Replacement Reservoir	PAC00-13102
Drinkwell Big Dog Fountain Flow Adjustment Kit	PAC00-13100
Drinkwell Big Dog Fountain Lid	PAC00-13099

Customer Care International

USA & Canada - Tel: 800-732-2677 – Monday - Friday 8 AM - 8 PM / Saturday 9 AM – 5 PM

Terms of Use and Limitation of Liability

1. Terms of Use

The use of this product is subject to your acceptance without modification of the terms, conditions and notices contained with this product. Use of this product implies acceptance of all such terms, conditions, and notices. If you do not wish to accept these terms, conditions, and notices, please return the Product, unused, in its original packaging and at your own cost and risk to the relevant Customer Care location together with proof of purchase for a full refund.

2. Proper Use

Proper Use includes, without limitation, reviewing the entire Product Manual and any specific safety information statements. The specific temperament or size/weight of your pet may not be suitable for this product. If you are unsure whether this Product is appropriate for your pet, please consult your veterinarian or certified trainer prior to use. For products used with pets where training is desired, Radio Systems Corporation recommends that these training products are not used if your pet is aggressive and accepts no liability for determining suitability in individual cases.

3. No Unlawful or Prohibited Use

This product is designed for use with pets only. This product is not intended to harm, injure or provoke. Using this product in a way that is not intended could result in violation of Federal, State or local laws.

4. Limitation of Liability

In no event shall Radio Systems Corporation or any of its associated companies be liable for (i) any direct, indirect, punitive, incidental, special or consequential damage and/or (ii) any loss or damages whatsoever arising out of or connected with the use or misuse of this product. The Purchaser assumes all risks and liability from the use of this product to the fullest extent permissible by law.

5. Modification of Terms and Conditions

Radio Systems Corporation reserves the right to change the terms, conditions and notices governing this product from time to time. If such changes have been notified to you prior to your use of this product, they shall be binding on you as if incorporated herein.

Warranty

One Year Non-Transferrable Limited Warranty

This Product has the benefit of a limited manufacturer's warranty. Complete details of the warranty applicable to this Product and its terms can be found at petsafe.com and/or are available by contacting your local Customer Care Center: Radio Systems Corporation, 10427 PetSafe Way, Knoxville, TN 37932 USA

Radio Systems Corporation
10427 PetSafe Way
Knoxville, TN 37932
+1 (800) 732-2677
www.petsafe.com
RE400-1288/1

©2018 Radio Systems Corporation