

# ScoopFree.<sup>®</sup> Slide

Quick-Clean Litter Box

## *User Guide*



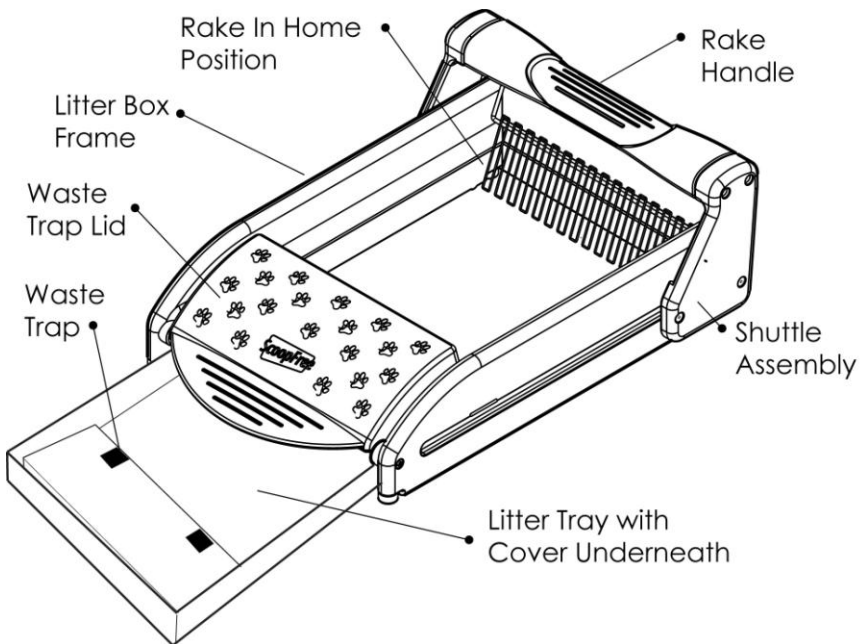
***Read this User Guide completely before first use***

**PLEASE SAVE THIS USER GUIDE**

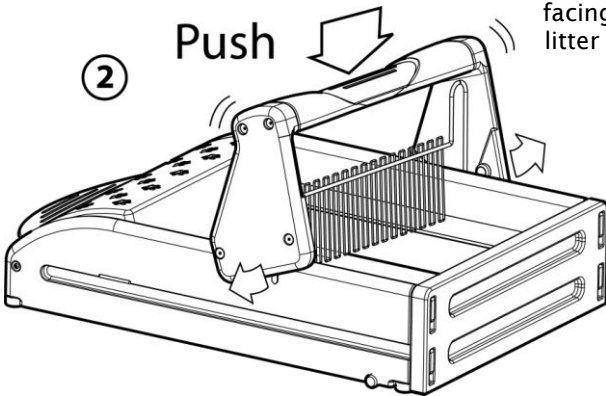
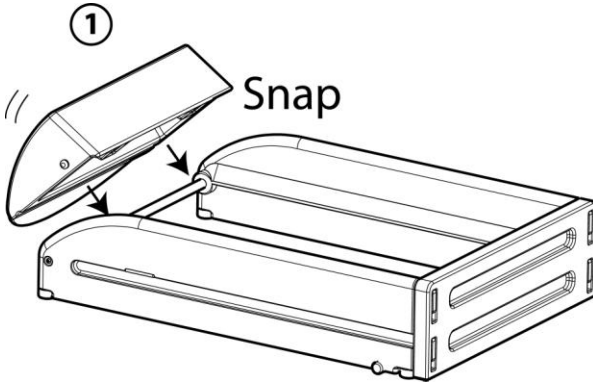
## Overview

ScoopFree® Slide is the quick-clean litter box that virtually does the job for you. Just slide waste into the waste trap for fresh, clean litter every day.

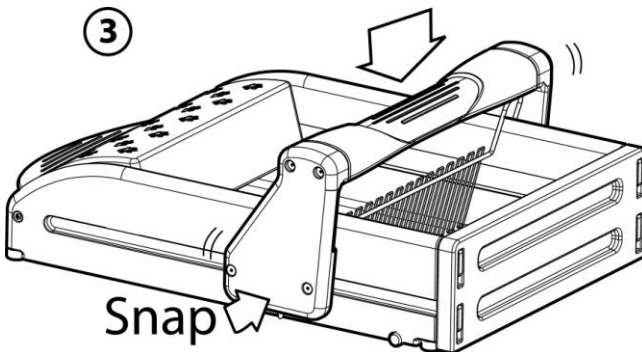
- Faster – Simply “step and slide” once a day
- Easier – No scooping, filling, or refilling
- Cleaner – Throw the litter away without touching waste



## Litter Box Assembly



Ensure rake handle is facing the front of the litter box as shown in illustration

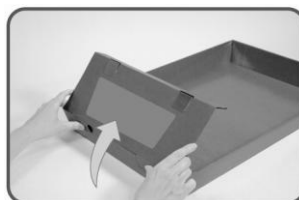


## Tray Assembly

**Step 1:** Align tabs



**Step 2:** Attach firmly

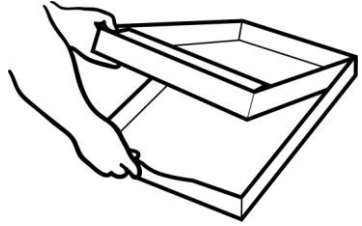


**Step 3:** Lower lid

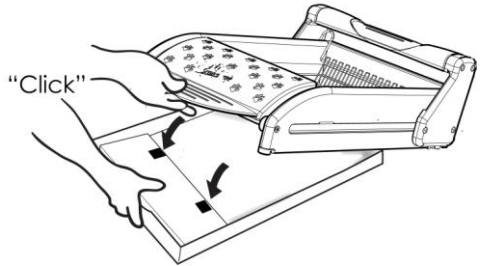


## Tray Installation

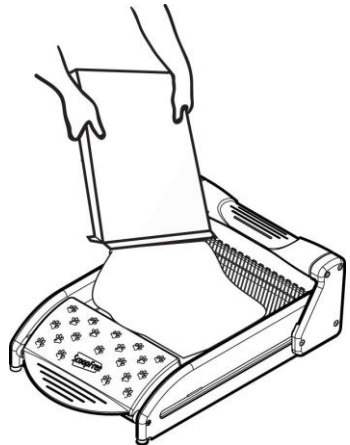
**Step 1:** Place cover underneath litter tray.



**Step 2:** Lower litter box onto litter tray. Listen for a click. This means the magnets on the waste trap lid have connected with the magnets on the litter tray. Make sure the sides of the litter box are flush with the sides of the litter tray.



**Step 3:** Pour litter into litter tray.

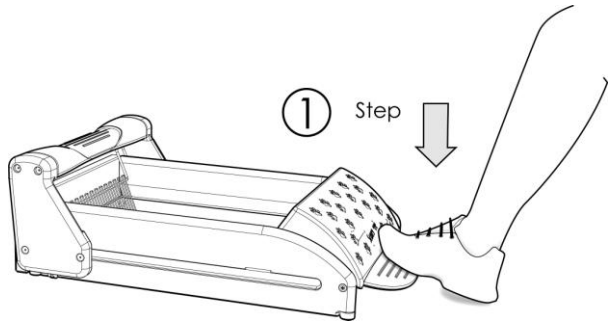


Your litter box is now ready for use.

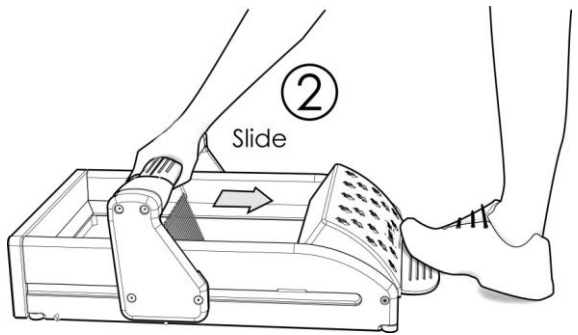
## Usage

Clean litter box at least once a day by following these easy steps:

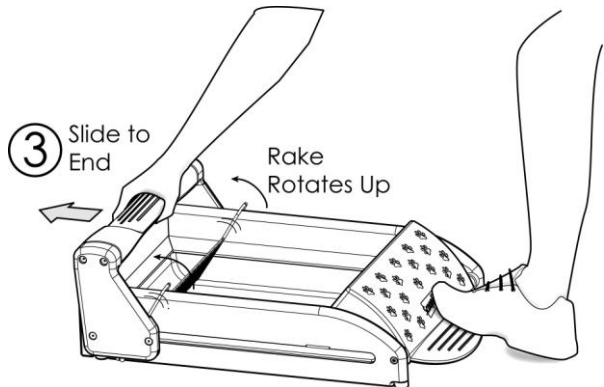
**Step 1:** Step on waste trap lid.



**Step 2:** Slowly (3 to 5 seconds) slide rake handle toward front of litter box to rake waste into waste trap. Rake will change direction at the front of the box. Push gently if needed to cause the rake to flip.



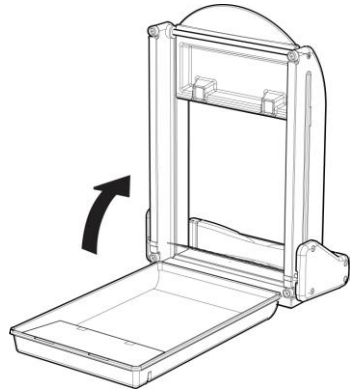
**Step 3:** Slowly (3 to 5 seconds) slide rake handle toward back of litter box until rake changes direction. Push gently if needed to cause the rake to flip. Lower waste trap lid.



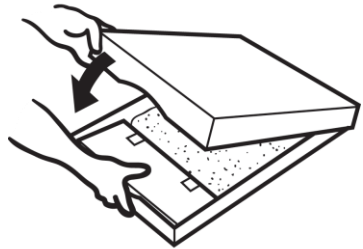
## Tray Replacement

Do not add litter or remove waste during normal operation. The litter will remain clean for weeks at a time. We recommend replacing the litter tray at least once every 20 to 30 days for one cat, 10 to 15 days for two cats and 7 to 10 days for three cats.\*

**Step 1:** Slide the rake handle to the middle of the litter box to avoid spilling litter on the floor. Lift litter box until it is standing on its end and remove the litter tray.



**Step 2:** Remove cover from under litter tray and place over tray.



**Step 3:** Throw the used litter tray in the trash.



\*Kittens less than 6 months old may experience a shortened litter tray life span. Kittens may also have softer stool than mature cats, which increases the likelihood that it may stick to the rake. Cats who consume a diet high in crude fiber, ash and byproducts may experience a shortened litter tray life span. Cats over 10 years and cats with health problems may also experience a shortened tray life. If you see waste collecting outside the waste trap, change the tray.

## *Acclimating Your Cat*

Most cats adapt easily to ScoopFree Slide. If your cat needs help adjusting, we recommend the following:

- Add a few handfuls of your cat's old litter to the ScoopFree Slide litter tray
- Leave the old litter box next to ScoopFree Slide and stop cleaning the old litter box.
- Gradually remove clean litter from the old litter box. As the litter in the old litter box gets shallow and its odor increases, your cat should start using ScoopFree Slide.

## *Care and Cleaning*

ScoopFree Slide seldom needs cleaning because of its revolutionary design; surfaces most likely to get soiled are discarded with each tray. You may occasionally choose to clean ScoopFree Slide as follows:

- Wipe all surfaces with mild soap and water.
- Wipe rake with sponge or brush.

## *Safety Precautions*

- **Do not use with cats that have problems using litter boxes.**
- **Do not let small children play with or near the litter box.**
- **If you are pregnant or have an immune deficiency, do not touch cat waste, soiled litter, or used litter trays at any time.**

## *Replacement Trays*

**All ScoopFree Slide models are compatible with all ScoopFree litter trays, including model LT1 filled with Fresh Step® Crystals litter and model LT2 filled with premium crystal litter that is free of perfumes and dyes.**

To order replacement trays, visit [ScoopFree.com](http://ScoopFree.com) or call toll free (888) 726-MEOW (6369). You can sign up for a litter tray delivery subscription at [ScoopFree.com](http://ScoopFree.com). Litter trays will automatically be delivered to your door as frequently as you choose. Visit [ScoopFree.com](http://ScoopFree.com) for details.



## Customer Service

If you have questions or need assistance, please email [help@ScoopFree.com](mailto:help@ScoopFree.com) or call toll free 888.726.MEOW (6369) to speak with one of our knowledgeable cat lovers Monday through Friday 9:00 AM to 5:00 PM CST.

## Guarantee and Limited Warranty

ScoopFree Slide guarantees that you and your cat will be fully satisfied – and if not, just call us within ninety (90) days of purchase (with your receipt and name of the store of purchase) and we will send you a prepaid shipping label so you can return ScoopFree Slide directly to us. We will refund your actual purchase price and pay 100% of the shipping costs if returned directly to us from anywhere in the United States.

ScoopFree Slide carries a Limited Warranty for three (3) years from the date of purchase on all major parts if used and maintained under normal conditions. Manufacturer will either replace or repair (at its option) such part(s) free of charge.

This Limited Warranty does not cover misuse, abuse, accidents or unauthorized services or parts, or the combination of ScoopFree Slide with other products. To the extent allowed by law, Lucky Litter LLC shall not be responsible or liable for any personal injury, property or incidental damage of any kind resulting from malfunctions, defects, misuse, improper use or alteration of this product. Guarantee and Limited Warranty apply only to original purchaser of ScoopFree Slide product. Receipt required to exercise Guarantee and Limited Warranty. This is the only Guarantee and Limited Warranty available and they cannot be altered, enlarged or changed by any retailer or person whatsoever.

For complete directions on how to best return the product within ninety (90) days of purchase or return the product for replacement or repair while still covered under the three (3) year Limited Warranty, email us at [help@ScoopFree.com](mailto:help@ScoopFree.com) or call us toll free at 888.726.MEOW (6369) Monday through Friday 9:00 AM to 5:00 PM CST.

If you have any problems with ScoopFree Slide, please contact us directly. We want to learn more about you and help in any way we can.

*Copyright © 2008 by Lucky Litter LLC. All Rights Reserved.  
ScoopFree® is a trademark of Lucky Litter LLC.  
Patents Pending. Designed in the U.S.A. Printed in China.*